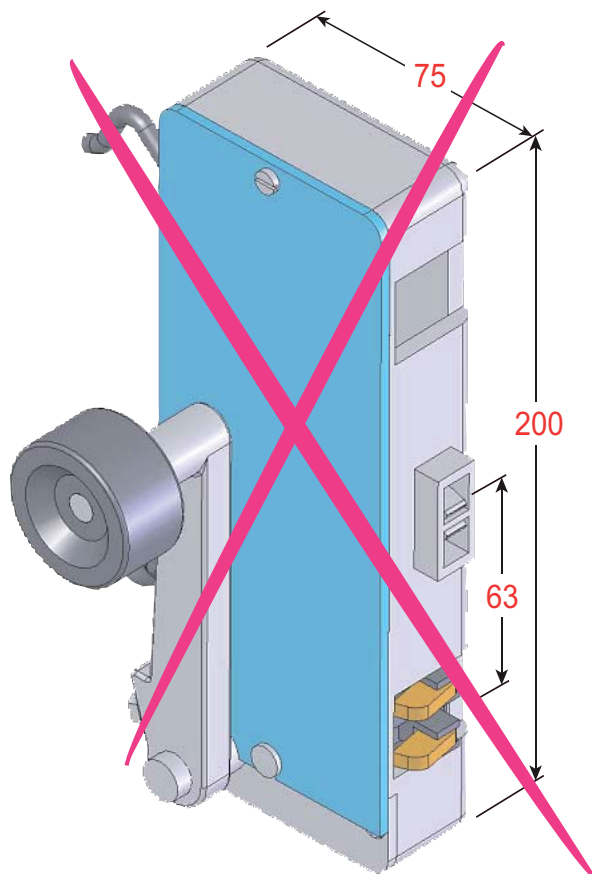
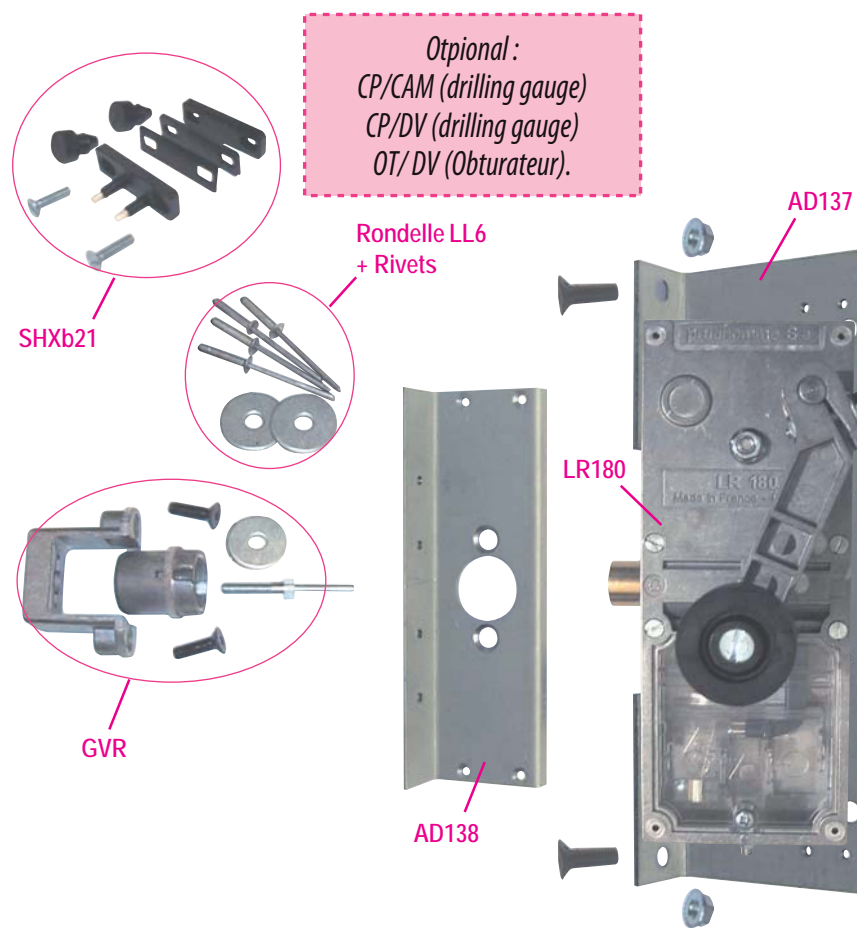


To replace :  
Type Camu  
with draw contact inside lock



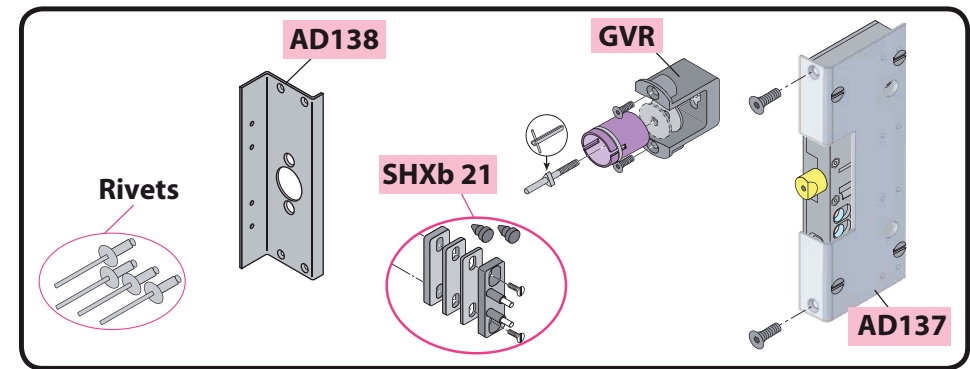
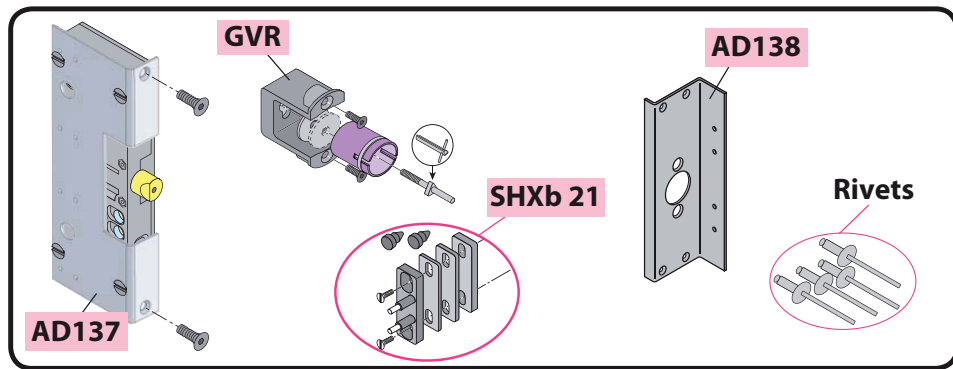
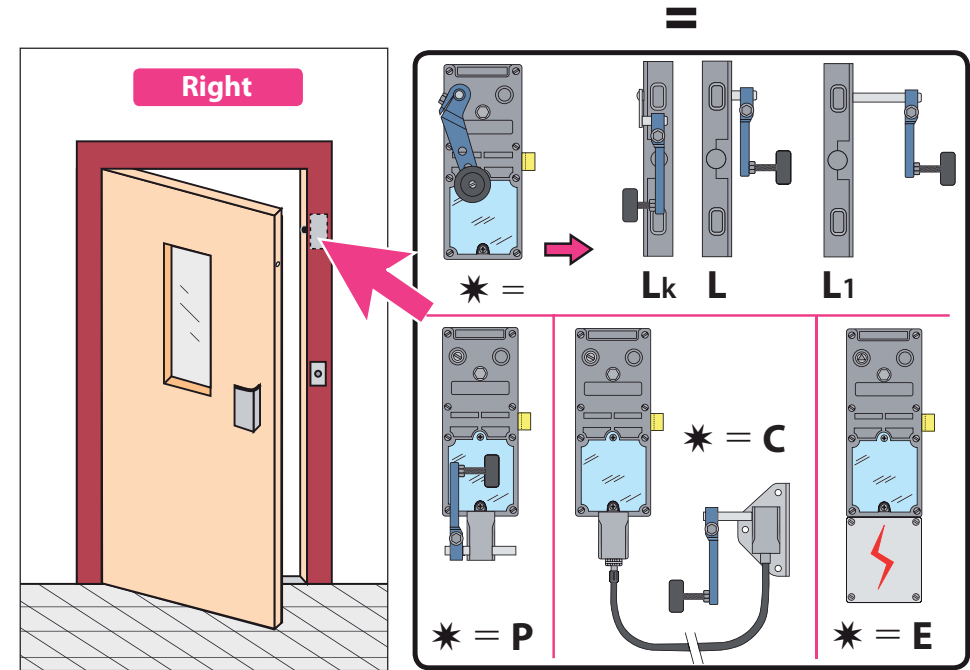
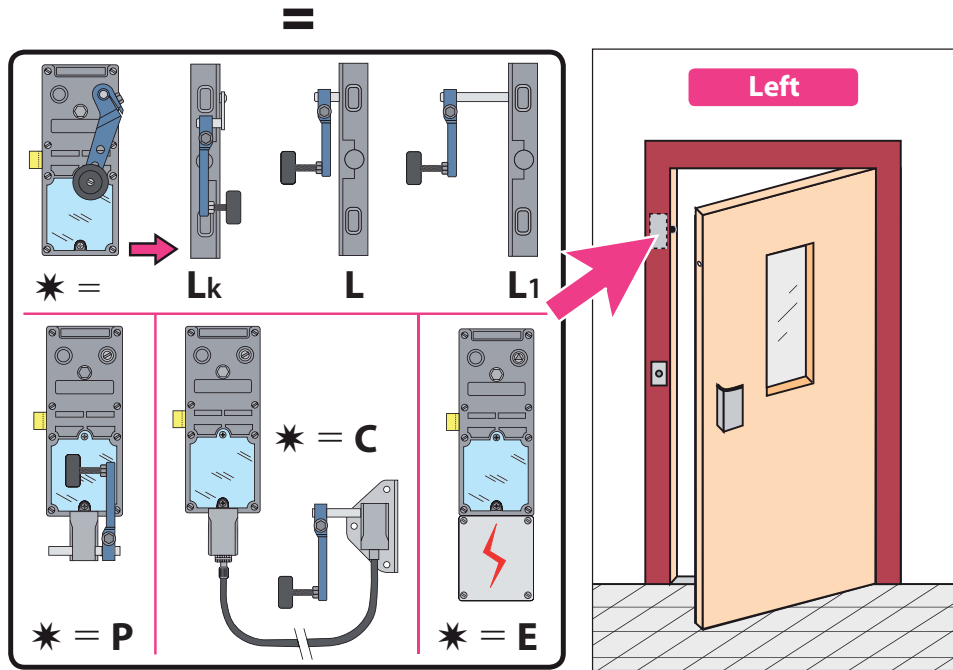
Substitution :

**LR 180 \*\* CAM** prudhomme S.a  
with integrated draw contact

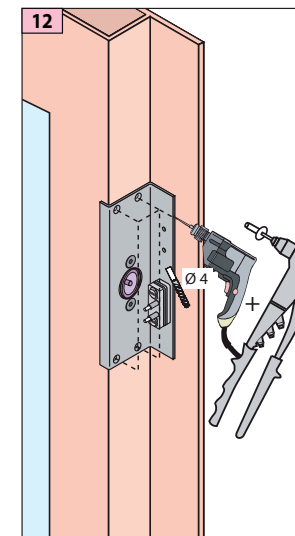
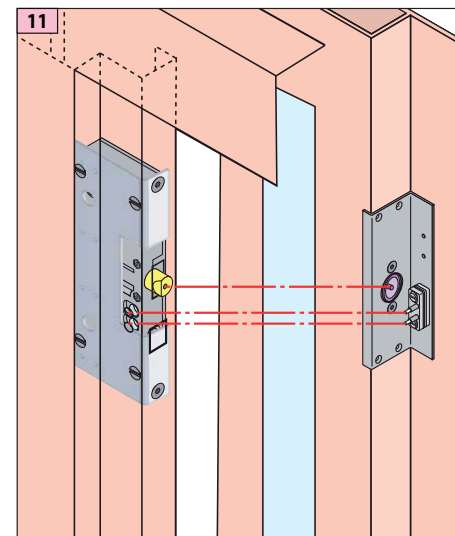
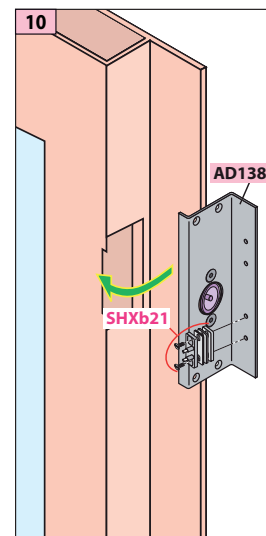
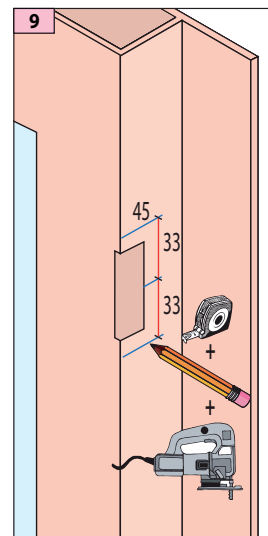
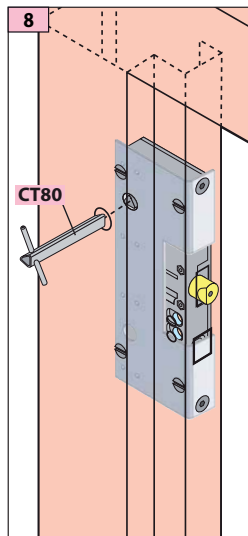
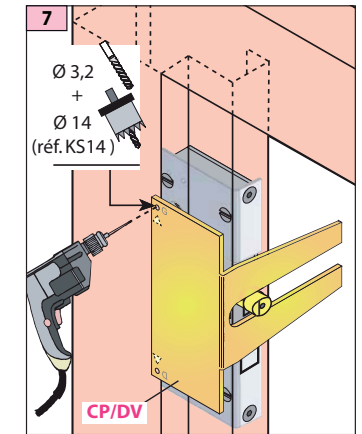
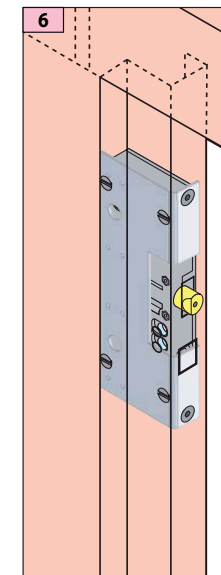
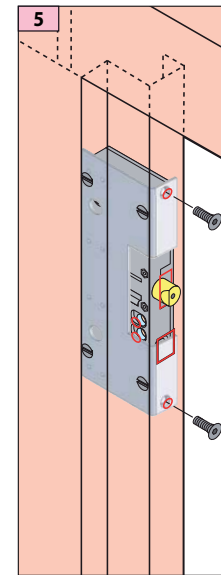
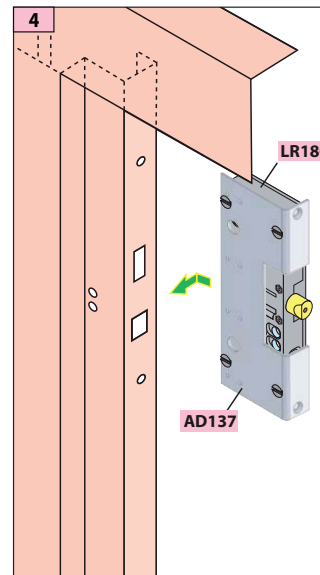
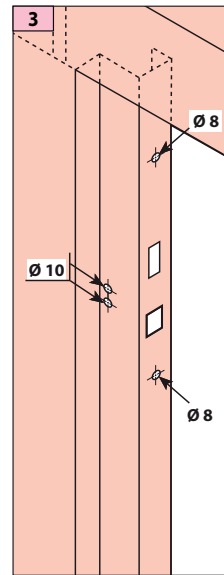
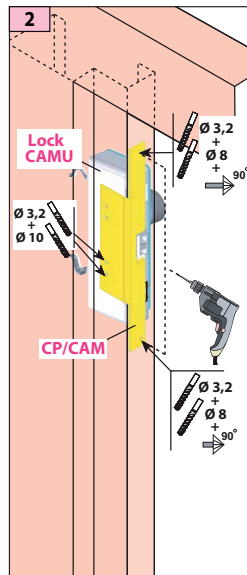
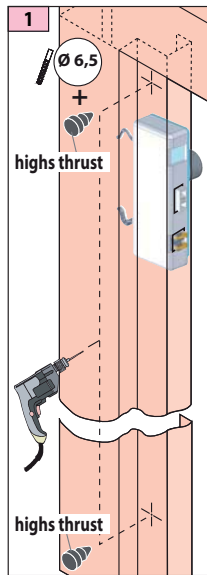
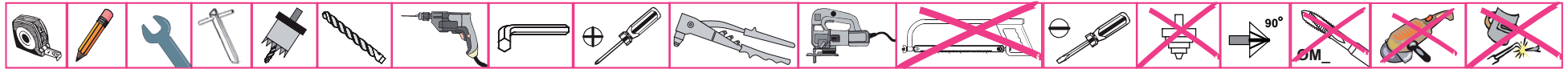


ref.:LR180 \* **G** CAM

ref.:LR180 \* **D** CAM



## Mounting stages



## Pin adjustment

